



LED FLOOD LIGHT

Special lighting for wharves, stadiums, squares
and other large places.

250W-1250W

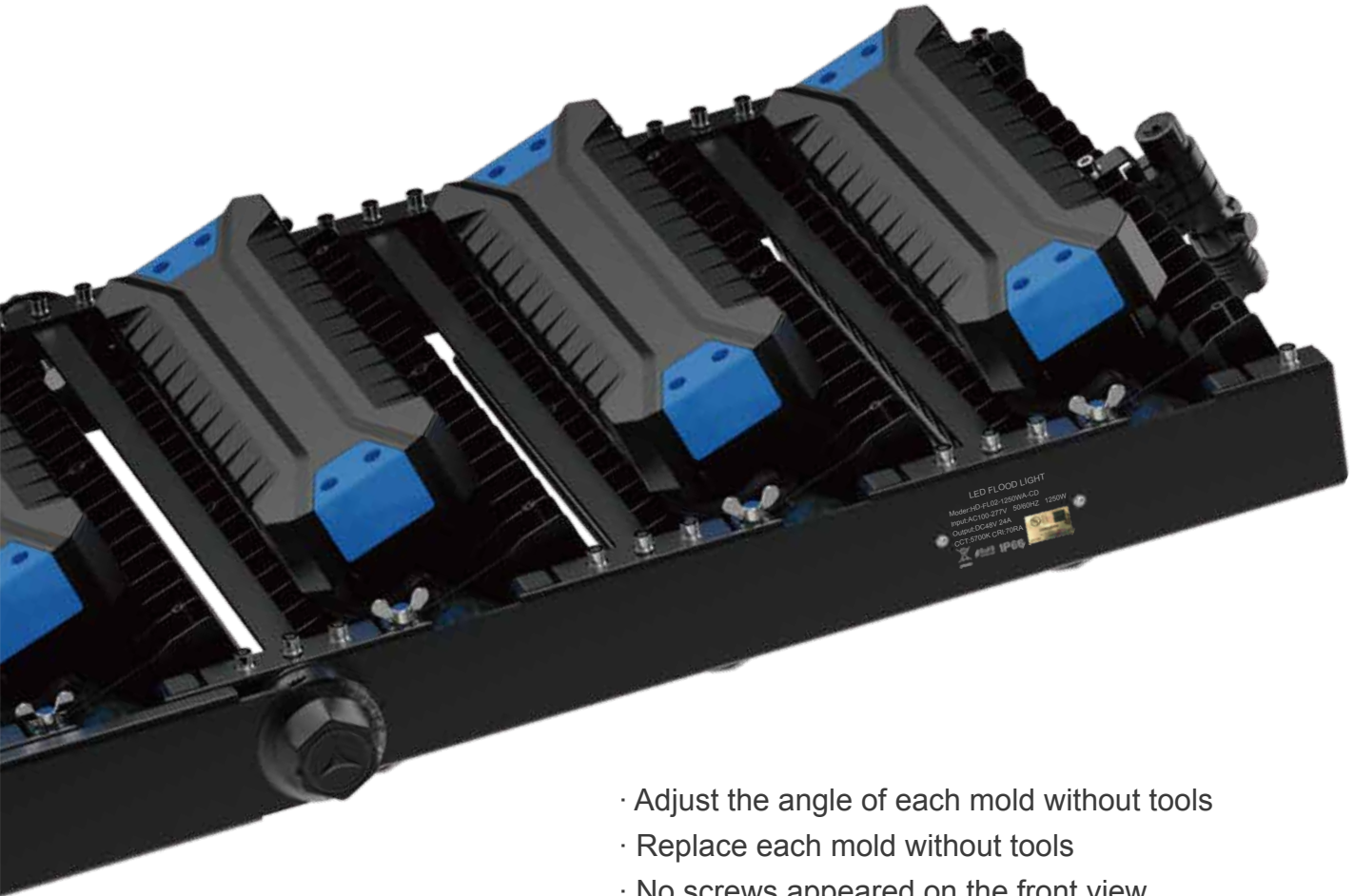
IP66



LED FLOOD LIGHT



250W-1250W



- Adjust the angle of each mold without tools
- Replace each mold without tools
- No screws appeared on the front view
- High end industrial design brings a more dramatic impact

Wattage



250w



500w



750w



1000w



1250w

LED FLOOD LIGHT

HD-FL02-250WA-V-CD



250W up to 31,250LM

Specifications

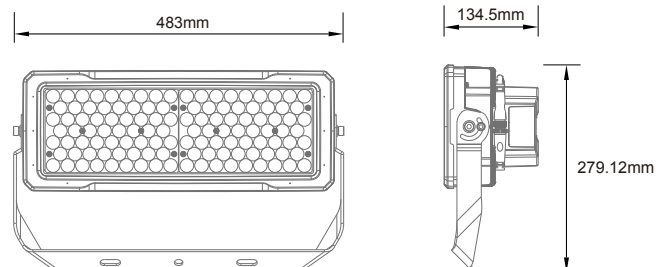
Optical Data

Wattage	250W
LED Type	Lumileds/Samsung
Efficiency	125LM/W
Luminous Flux	31,250LM
CCT	3000K/4000K/5000K/5700K/ 6500K
Beam Angle	10°/30°/60°/120°
CRI	>70Ra
System Efficiency	>90%



Electrical Data

Power Supply	Meanwell driver
Input Voltage	AC100-277V/AC240-480V
Power Frequency	50/60Hz
Output Voltage	DC48V
Power Efficiency	92%
Power Factor	0.95
Total Harmonic Distortion	<15%



Others

IP Rating	IP66
Lifetime(L70 Standard)	50,000 hours
Heat Radiator	Die-cast aluminum
Lens Material	PC
Carton Dimensions	698*543*365mm
Gross Weight	8kg
Fixture Dimension	483*297*134.5mm

LED FLOOD LIGHT

HD-FL02-500WA-V-CD



500W up to 62,500LM

Specifications

Optical Data

Wattage	500W
LED Type	Lumileds/Samsung
Efficiency	125LM/W
Luminous Flux	62,500LM
CCT	3000K/4000K/5000K/5700K/ 6500K
Beam Angle	10°/30°/60°/120°
CRI	>70Ra
System Efficiency	>90%

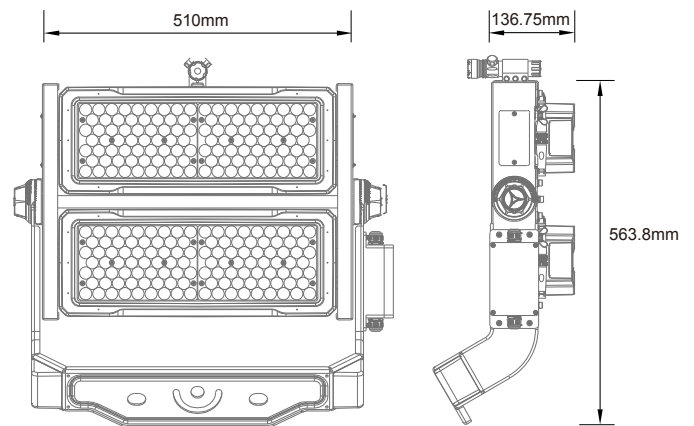


Electrical Data

Power Supply	Meanwell driver
Input Voltage	AC100-277V/AC240-480V
Power Frequency	50/60Hz
Output Voltage	DC48V
Power Efficiency	92%
Power Factor	0.95
Total Harmonic Distortion	<15%

Others

IP Rating	IP66
Lifetime(L70 Standard)	50,000 hours
Heat Radiator	Die-cast aluminum
Lens Material	PC
Carton Dimensions	645*640*210mm
Gross Weight	20.5kg
Fixture Dimension	563.8*510*136.75mm



LED FLOOD LIGHT

HD-FL02-750WA-V-CD



750W up to 93,750LM

Specifications

Optical Data

Wattage	750W
LED Type	Lumileds/Samsung
Efficiency	125LM/W
Luminous Flux	93,750LM
CCT	3000K/4000K/5000K/5700K/ 6500K
Beam Angle	10°/30°/60°/120°
CRI	>70Ra
System Efficiency	>90%

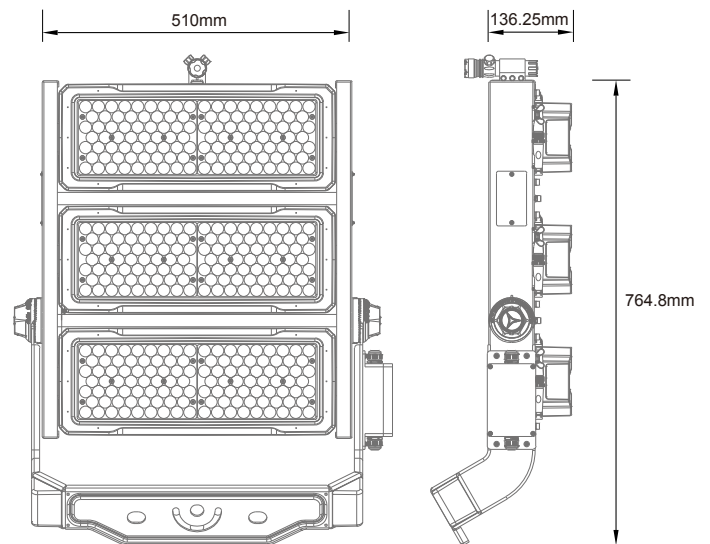


Electrical Data

Power Supply	Meanwell driver
Input Voltage	AC100-277V/AC240-480V
Power Frequency	50/60Hz
Output Voltage	DC48V
Power Efficiency	92%
Power Factor	0.95
Total Harmonic Distortion	<15%

Others

IP Rating	IP66
Lifetime(L70 Standard)	50,000 hours
Heat Radiator	Die-cast aluminum
Lens Material	PC
Carton Dimensions	835*635*210mm
Gross Weight	26.5kg
Fixture Dimension	764.8*510*136.25mm



LED FLOOD LIGHT

HD-FL02-1000WA-V-CD



1000W up to 125,000LM

Specifications

Optical Data

Wattage	1000W
LED Type	Lumileds/Samsung
Efficiency	125LM/W
Luminous Flux	125,000LM
CCT	3000K/4000K/5000K/5700K/ 6500K
Beam Angle	10°/30°/60°/120°
CRI	>70Ra
System Efficiency	>90%

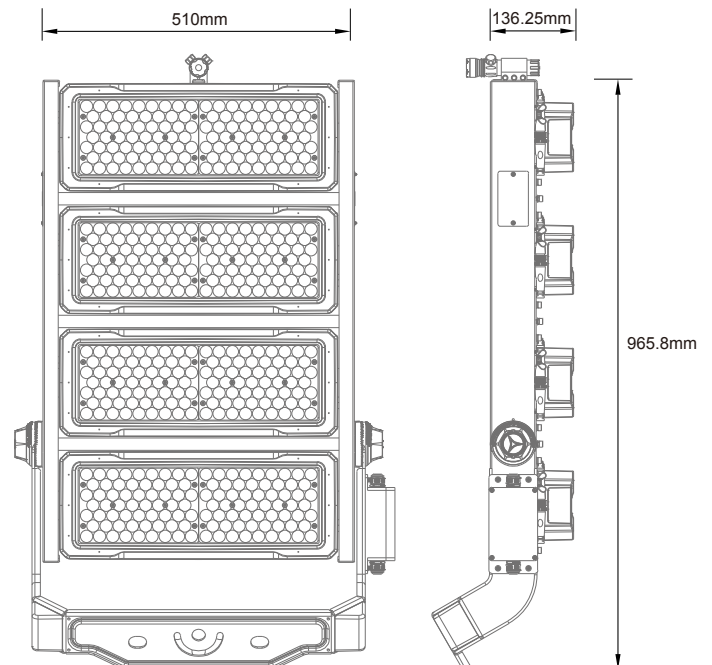


Electrical Data

Power Supply	Meanwell driver
Input Voltage	AC100-277V/AC240-480V
Power Frequency	50/60Hz
Output Voltage	DC48V
Power Efficiency	92%
Power Factor	0.95
Total Harmonic Distortion	<15%

Others

IP Rating	IP66
Lifetime(L70 Standard)	50,000 hours
Heat Radiator	Die-cast aluminum
Lens Material	PC
Carton Dimensions	1035*635*210mm
Gross Weight	30.8kg
Fixture Dimension	965.8*510*136.25mm



LED FLOOD LIGHT

HD-FL02-1250WA-V-CD



1250W up to 156,250LM

Specifications

Optical Data

Wattage	1250W
LED Type	Lumileds/Samsung
Efficiency	125LM/W
Luminous Flux	156,250LM
CCT	3000K/4000K/5000K/5700K/ 6500K
Beam Angle	10°/30°/60°/120°
CRI	>70Ra
System Efficiency	>90%

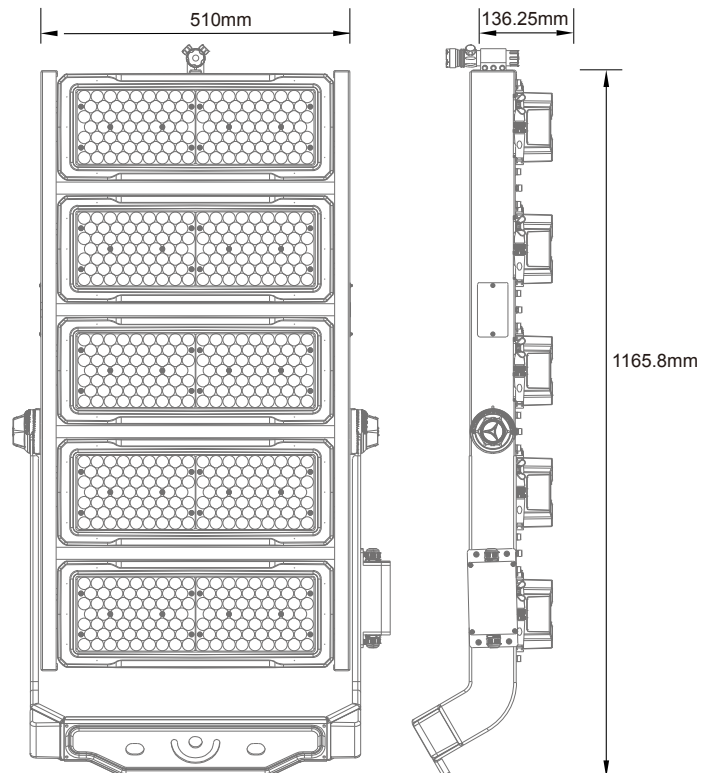


Electrical Data

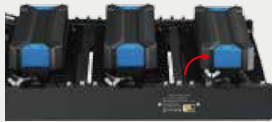
Power Supply	Meanwell driver
Input Voltage	AC100-277V/AC240-480V
Power Frequency	50/60Hz
Output Voltage	DC48V
Power Efficiency	92%
Power Factor	0.95
Total Harmonic Distortion	<15%

Others

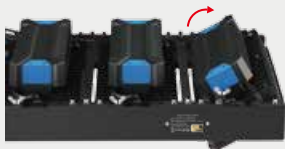
IP Rating	IP66
Lifetime(L70 Standard)	50,000 hours
Heat Radiator	Die-cast aluminum
Lens Material	PC
Carton Dimensions	1220*640*235mm
Gross Weight	39.8kg
Fixture Dimension	1165.8*510*136.25mm



Rotation



Screw off the wing nuts to the horizon of rear of light.

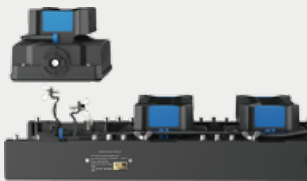


Rotational angle of single light $\pm 30^\circ$.



Revolving the arrow to the horizontal of bracket, slideable gear.

Replace the light



Screw off the wing nuts and revolve it to 90° .



Fetch out the defective lights.



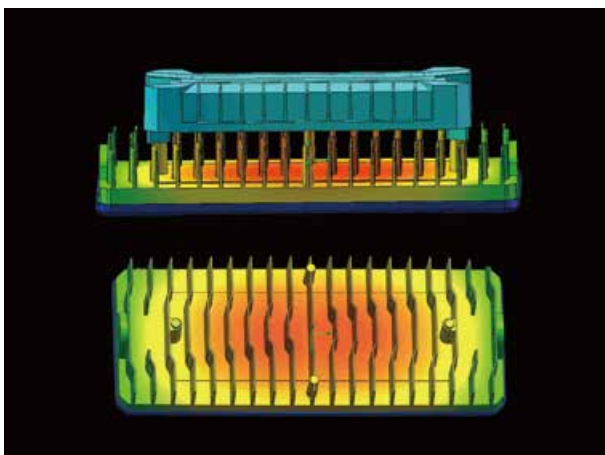
Put the lights to the clip, screw down the wing nuts to 90° angle. Insert the waterproof connector to the socket, light up the light.

Auxiliary accessories

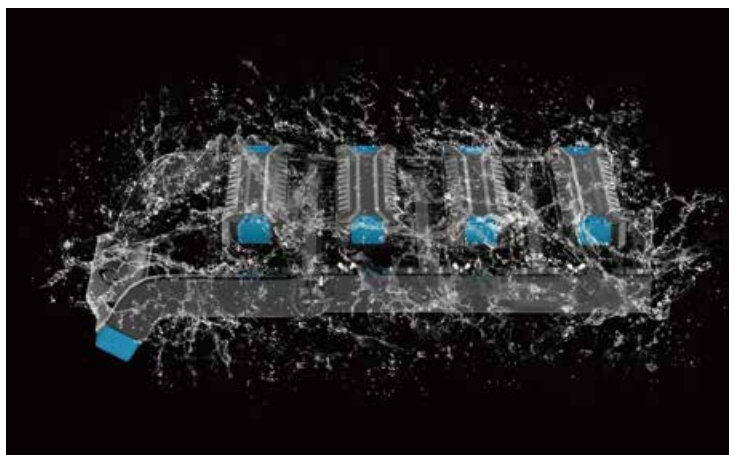
Light barrier



Laser diode aiming device



Temperature simulation, Driver temperature rise 32° ,
Chip temperature rise 60°



Waterproofing grade IP66

